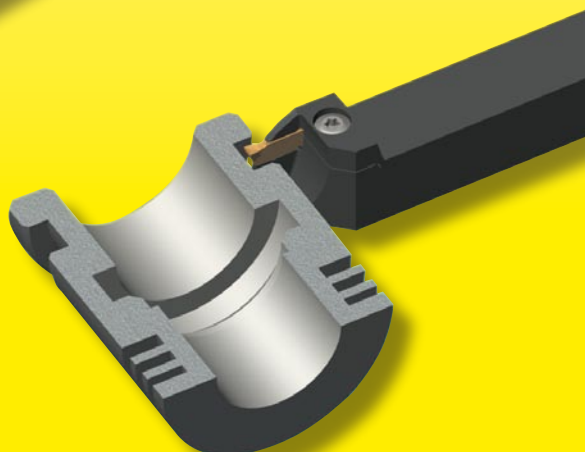
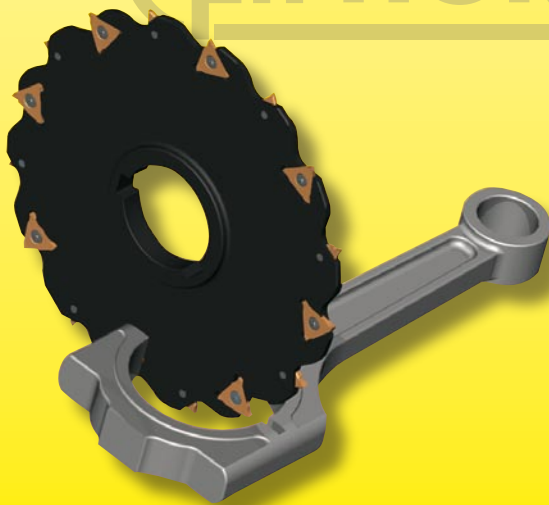
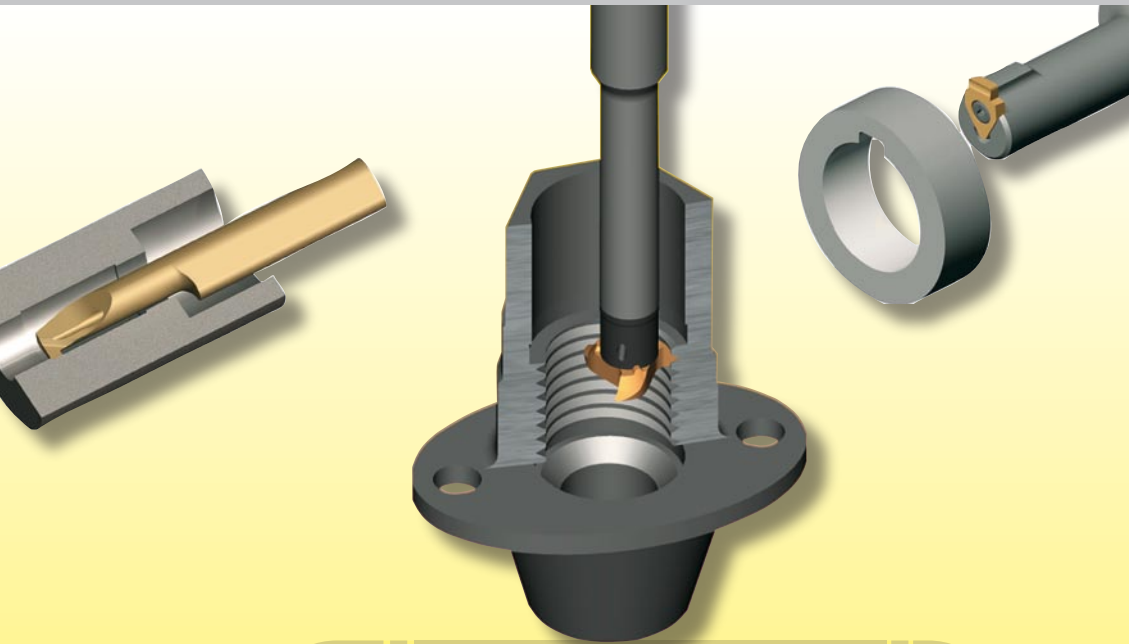


HORN - LEADERS IN GROOVING TECHNOLOGY

SOLUTIONS PLUS



- GROOVING
- PARTING OFF
- GROOVE MILLING
- BROACHING
- PROFILE MILLING
- BORING



HORN USA, Inc.
320 Premier Court
Suite 205
Franklin, TN 37067
Tel.: +1 (888)818-HORN
Fax: +1 (615)771-4101
sales@hornusa.com
www.hornusa.com



Horn USA is proud to announce our new Solutions Plus program. Customers benefit from our expertise in providing outstanding custom tooling plus a guaranteed 2-week delivery with free overnight shipping.

Horn USA will indicate when a tool is available for the Solutions, Plus program on our official quotation. When you request the faster delivery, we will quote the Solutions Plus version of the tool with the Solutions Plus grade designation SP....

The 2-week delivery begins the date of the order for orders received by 12:00 PM CST. The finish date is the day we ship the tools from our facility.

Contact your local distributor or factory representative for more details on this exciting new program.

